



ZAPE 1CS

ϵ ~epsilon range

SINGLE PHASE ACTIVE (Wh) ENERGY METER

Quick feature guide:

- Billing meter for single phase active (kWh), import & export energy
- Class-1 accuracy
- Compact form factor with seamless enclosure
- Low cost, no maintenance required
- On site easy meter communication via infrared flag port
- ZAPE 1CS+ is remote automated meter reading ready through serial port
- Large, always on LC-Display allows visual reads during power failures
- Certified compliance with standards: IEC 62053-21, IEC 62052-11
- Manufactured under ISO 9001:2000 quality standards
- DIN rail bracket available for easy installation
- Engineering software included / available for download at no charge

Wh

ϵ

~energy

See specifications for configuration options

Various accessories are available for use with this product

ZAPE 1CS SPECIFICATIONS

CONFIGURATION OPTIONS

ZAPE1CS100A240V	Energy meter
ZAPE1CS100A240V+	Energy meter with serial communication

ELECTRICAL RATING

Standard	IEC62053-21
Single Phase, 2-wire, 230V, 50 Hz, 100A, direct connect	
Accuracy	10-100A Class 1
Burden: Voltage circuit <0.8W, Current circuit <0.05VA	
Operating temperature range	-30 °C to + 70 °C
Storage temperature range	-45 °C to + 85 °C

DISPLAY

Large 8-digit auto scrolling display with digit size 10 x 4.9 mm
Display scrolls: Total Energy / Export Energy / Errors & Tamper / Meter Serial Number
Always-on-display, is driven by long life battery during power outages and disconnects
Life in excess of 15 years

COMMUNICATIONS

Optical port IEC 62056-21
The ZAPE 1CS+ model includes a RS485 (serial) port

INPUTS & OUTPUTS

Electrical pulse output for total energy IEC62053-31
LED output for total energy IEC62053-31
Pulse Rate (both outputs): 500 imp/kWh
Pulse width (both outputs): 80 ms
Both rates can be specified (optional)

SECURITY

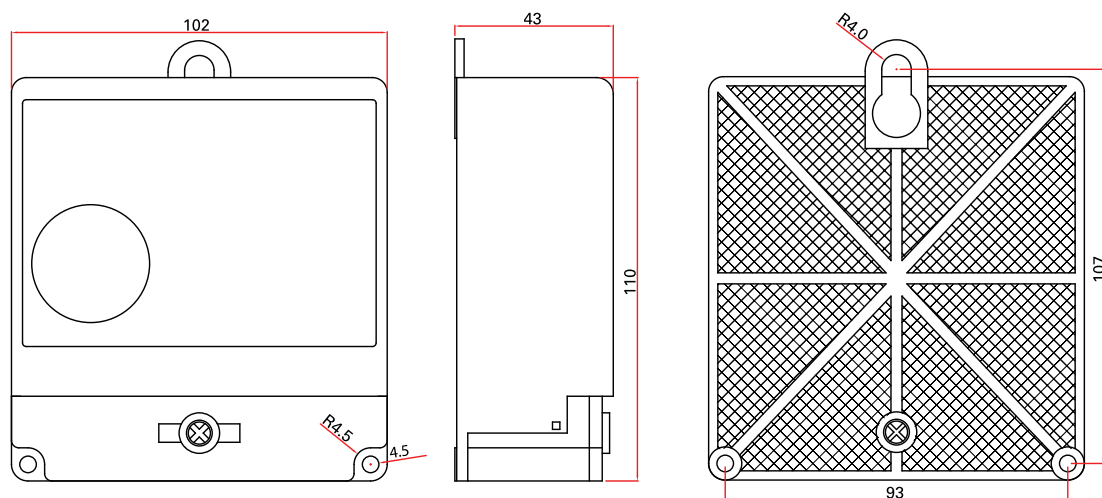
Factory sealed case. Sealable terminal cover by owner
Reverse current warning
Neutral loose or disconnect warning
Terminal cover open event registration

ACCESSORIES

Optical Coupler for flag port with magnetic base (USB)	
PR510 programmer and reader used with AMR software	
EDAT+g for GSM-GPRS AMR at multi meter (up to 128) installations	
EDAT+e for Internet AMR at multi meter (up to 128) installations	
DIN Rail Mounting bracket	
Meter Programming Software	Meter reading & configuration software – download for free

CASE AND DIMENSIONS

Material	Clear Polycarbonate
Dimensions	120 x 102 x 43 mm
Weight	0.4 kg
Ingress rating	IP54
Terminal arrangement	BS, IEC (optional)
Markings include	Property ownership (optional) Meter serial number Connection diagrams are in accordance with IEC 1036



In the interest of product development, specifications are subject to change without notice. Zaptronix and RemitLite are pending trademarks of Zaptronix Limited. All other trademarks are acknowledged. Copyright Zaptronix Limited 2008. All rights reserved.